

4

3

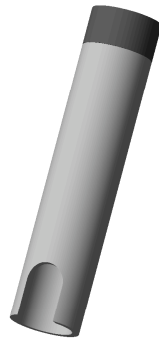
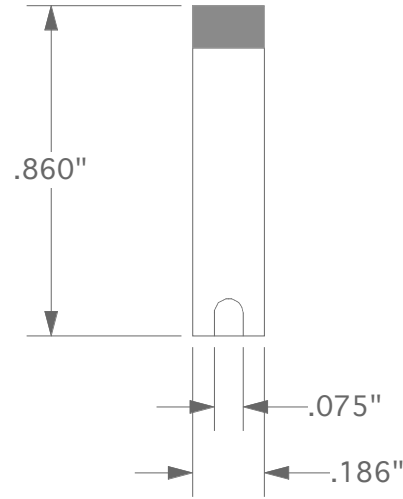
2

1

REVISIONS			
REV	DESCRIPTION	DATE	APPROVED
A	Initial Release		

Notes:

- 1. Sensor body material: 303 SS.
- 2. Sensor body passivated per ASTM A967.



INTERPERT THIS DRAWING PER ANSI Y-14	DRAWN Kathy Kelpin	DATE 1/23/04
UNLESS OTHERWISE SPECIFIED : DIMENSIONS ARE IN INCHES	ENGRG	
TOLERANCE	PROD	
.XX = +/- .02	PROJECT	
.XXX = +/- .005	Q A	
ANGLES = +/- 1/2 DEG		
SURFACE ROUGHNESS 63 / MAX		
DO NOT SCALE THIS DRAWING		
MATERIAL :		

BLUE LINE ENGINEERING			
Straight Sensor Body w/Coil			
SIZE	CAGE CODE	DWG. NO.	REV.
A	1JUH2	100030	A
SCALE:		SHT. 1 OF 1	

D

C

B

A